

U N I V E R S A L

- Sewing Machines
- Textile Equipment
- Paper Bag Making
- Hamburg Forming Equip.
- Bus Doors

A P P L I C A T I O N S

the curtis TakeApart advantage

Curtis Universal Joint customers enjoy a unique advantage when modification of standard joints is required.

Other U-Joints Must Be “Abused” to Fit

In order to transmit power through an angle, there must be some means of affixing the shaft to the joint. Connecting the two may, for example, require a key, a cross pin or a set screw.

With most universal joints, affixing the joint requires time-consuming disassembly of the joint for machining of the hubs. This can damage component parts, result in an improper fit upon reassembly, or even require the replacement of damaged component parts!

Curtis Joints Are Easily Adapted

Curtis joints (7/8" to 4.0" O.D.) are designed with your end use in mind, and can be readily taken apart without the use of special tools. Curtis' patented Tell-Tale Lock Ring TakeApart feature makes it easy to disassemble the joint, machine component parts, reassemble and install in the field without costly disassembly of other drive train components.

See for yourself, using the sketch shown here: it is a simple matter to disassemble and reassemble the joint, eliminating any possibility

of damage to the joint ears, pins or center block, and change in fit of the centerblock in the milled slot.

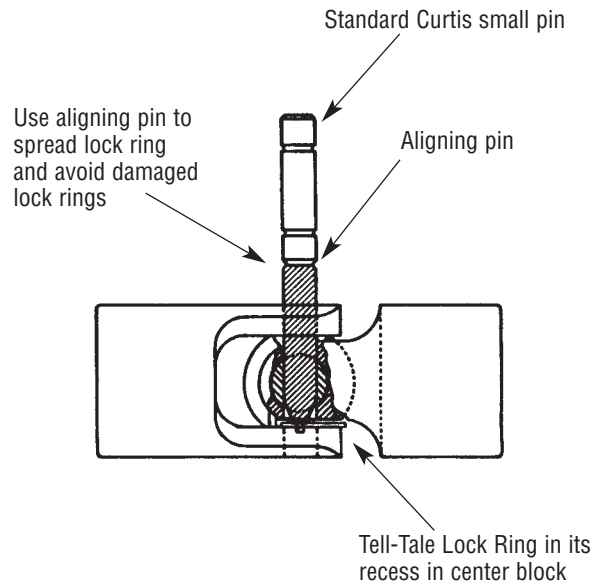
The Curtis Tell-Tale Lock Ring snaps around either pin groove and fits into the recess of the centerblock. It is visible when installed, insuring firm, positive lockup of the entire assembly. The lock ring design facilitates quick disassembly and reassembly without the use of special tooling. This feature is especially beneficial in the field, as it enables easy removal of parts for repair or faster disassembly of the drive train by quick removal of the U-joint.

We're Certain You'll Notice the True Curtis Advantage

Later, under operating conditions, doesn't it seem safe to assume that an “unabused” Curtis joint will hold up better in your application and give longer life than an “abused” joint? We think so. If you're a Curtis customer, you'll know so. The latest technology in universal joints backed by engineering excellence and service, service, service. That's what we call the real Curtis Advantage!

assembly instructions

Self-locking ring speeds assembly or disassembly on 7/8" outside diameter (O.D.) and larger joints.



TO DISASSEMBLE

Support joint rigidly, with small diameter pin in a vertical position. Press out pin, being careful not to lose the lock ring which is in the recess of the center block.

TO REASSEMBLE

Mount parts as shown in the drawing, making sure lock ring is in its recess in the center block. Insert a pointed aligning pin into the small hole and push it through, following with the small pin which will automatically lock itself into place.

Joints 3/4" and smaller outside diameter have small pins riveted at the factory.